

4

3

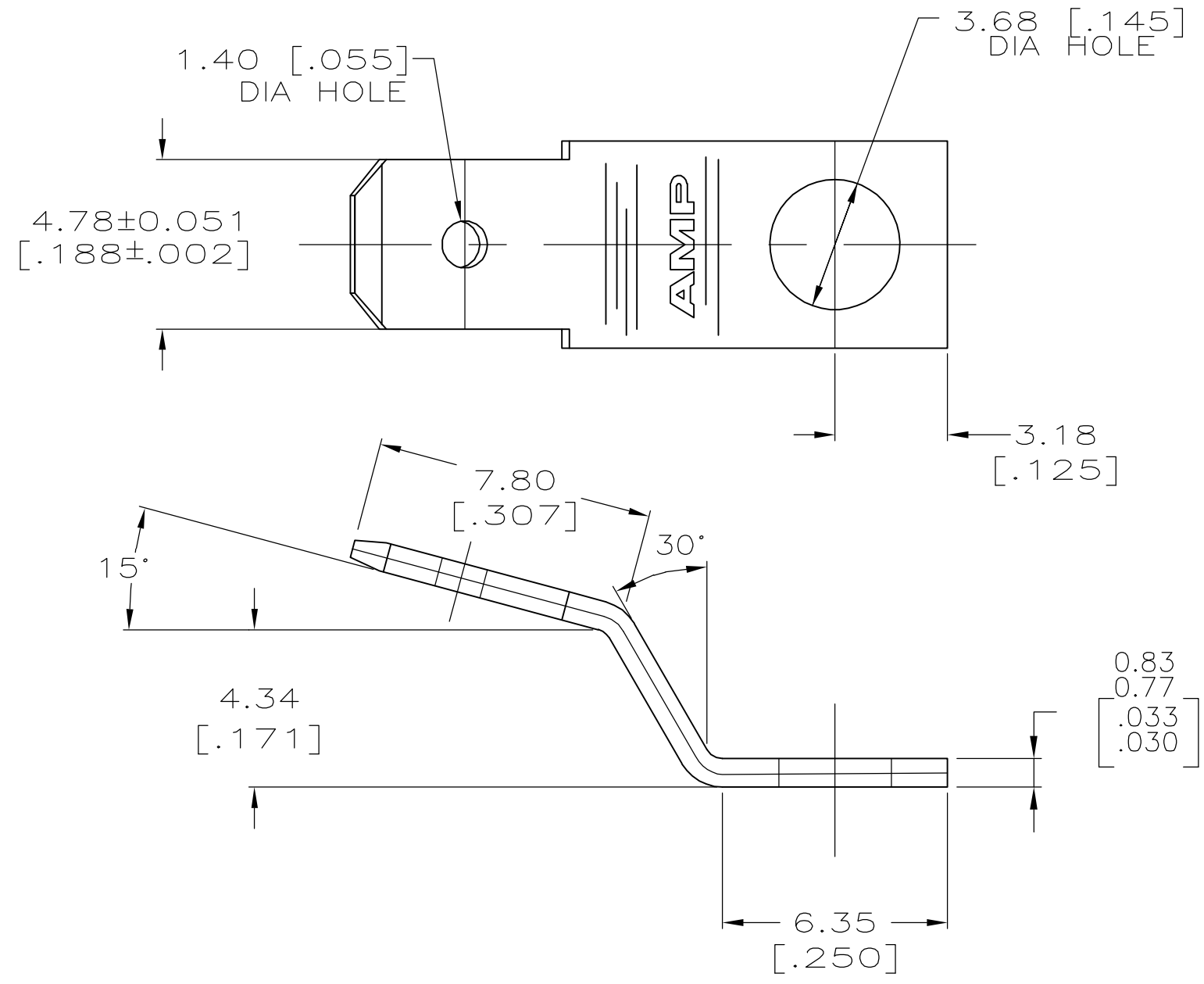
2

1

THIS DRAWING IS UNPUBLISHED. RELEASED FOR PUBLICATION
 © COPYRIGHT - BY TYCO ELECTRONICS CORPORATION. ALL RIGHTS RESERVED.

| LOC | DIST | REVISIONS | | | | | |
|-----|------|-----------|-----|-----------------------|---------|-----|------|
| AF | 50 | P | LTR | DESCRIPTION | DATE | DWN | APVD |
| | | F | | REV PER ECR-05-017287 | 10APR06 | HMR | JR |

1 SUPPLIED IN LOOSE PIECE.



62162-1
PART NO.

| | | | | | |
|---|--|------------------|----------|---------------------------------|---|
| THIS DRAWING IS A CONTROLLED DOCUMENT. | | DWN | JR RUTH | 3/9/98 | Tyco Electronics Corporation Harrisburg, PA 17105-3608 |
| DIMENSIONS: mm [INCHES] | | CHK | MS FEHER | 3/9/98 | |
| TOLERANCES UNLESS OTHERWISE SPECIFIED: | | APVD | J WORMAN | 3/9/98 | |
| 0 PLC ± - 1 PLC ± - 2 PLC ± 0.38 [.015] 3 PLC ± - 4 PLC ± - ANGLES ± - | | PRODUCT SPEC | | NAME | |
| MATERIAL | | APPLICATION SPEC | | TAB, FASTON, 4.75 [.187] SERIES | |
| 082 BRASS | | FINISH | | TIN OVER COPPER | |
| | | WEIGHT | | - | |
| | | CUSTOMER DRAWING | | SIZE | A3 |
| | | | | CAGE CODE | 00779 |
| | | | | DRAWING NO | C-62162 |
| | | | | RESTRICTED TO | - |
| | | | | SCALE | 6:1 |
| | | | | SHEET | 1 OF 1 |
| | | | | REV | F |